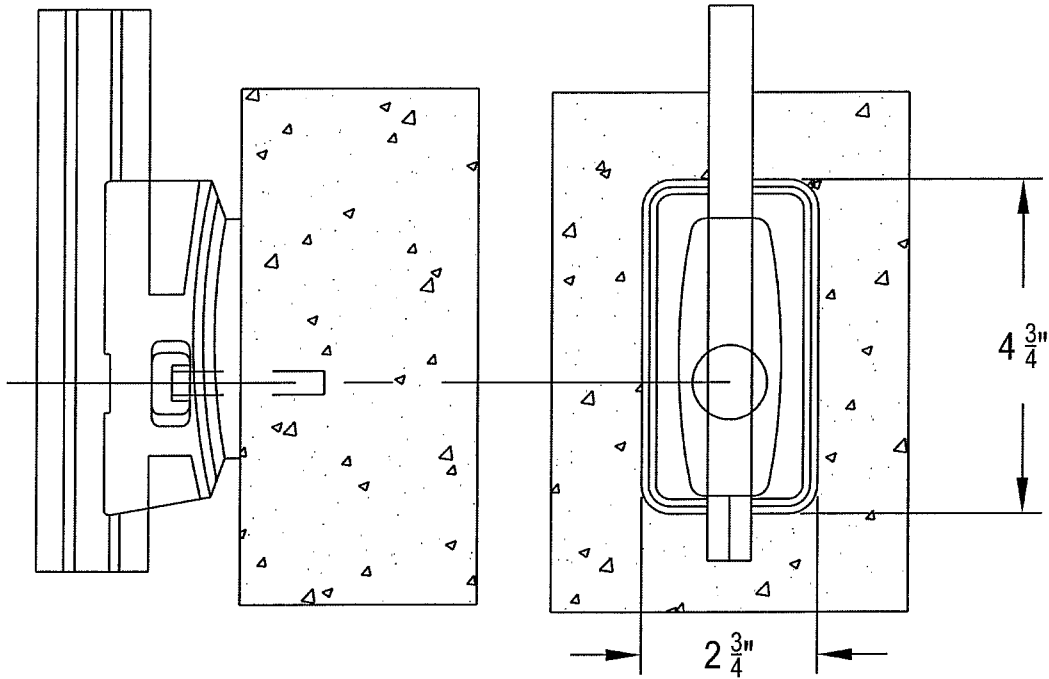
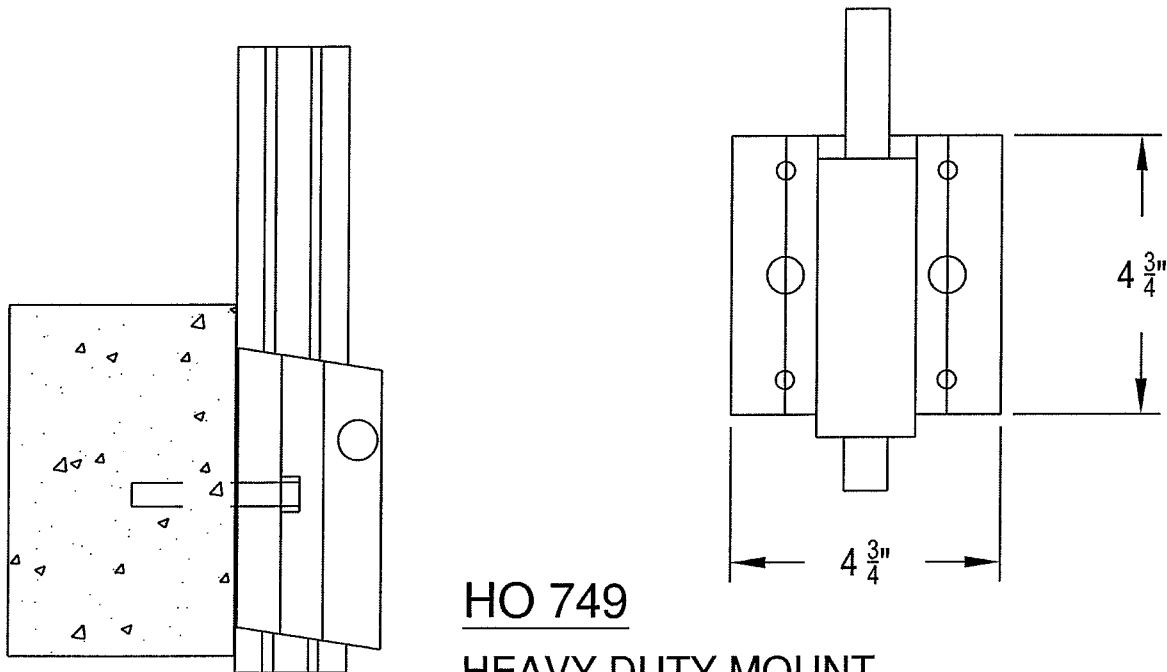


FASCIA MOUNT OPTIONS
FOR R 219 POST



HO 604

STANDARD MOUNTING BRACKET



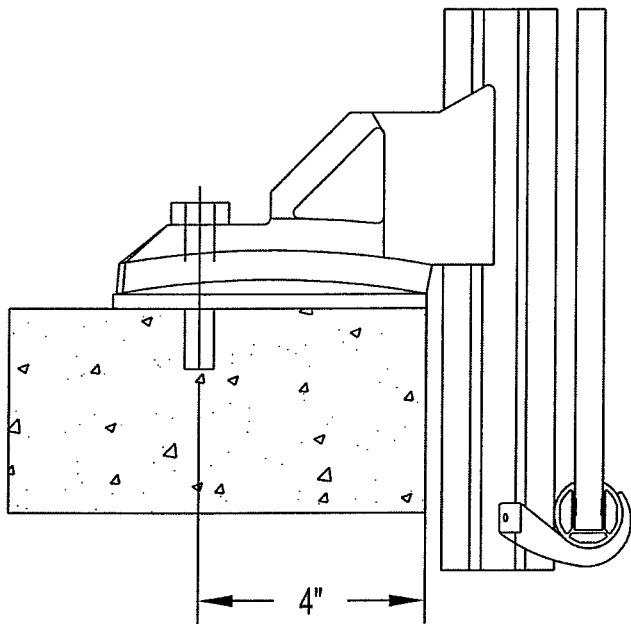
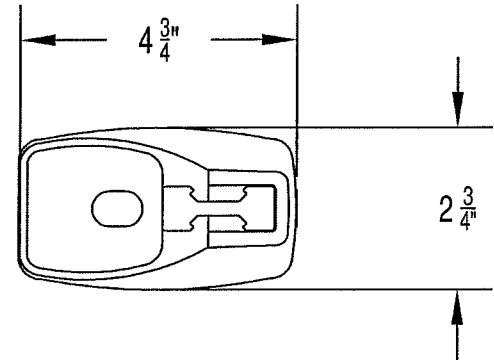
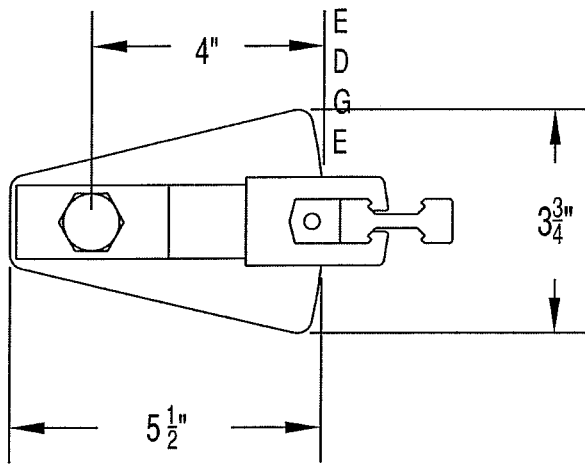
HO 749

HEAVY DUTY MOUNT

SERIES: MAJESTIC		DATE: 12 / 2003	
MODEL: I BEAM POSTS		DRWG. NO. AH0025	
DESC: FASCIA MOUNTS		REV. NO. 0	DRAWN BY D.L.
PROJECT: O		MANUFACTURED BY	
PHONE (732) 286-9496	AVCON		FAX (732) 286-0526

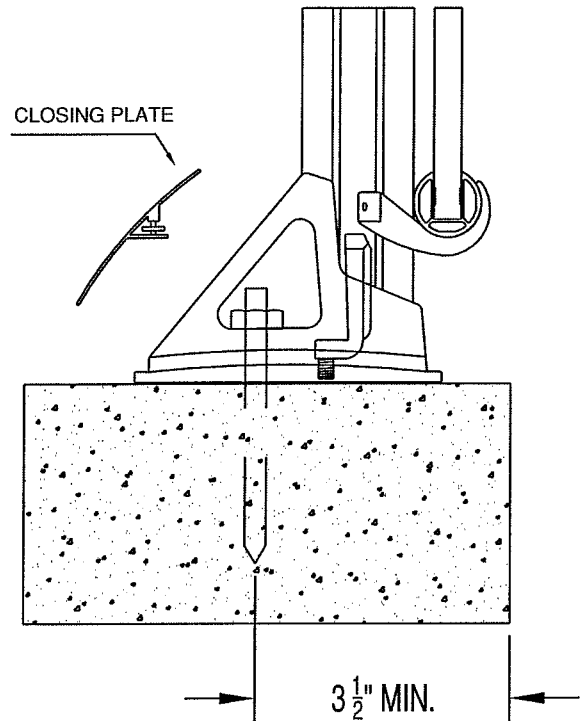
PROPRIETARY NOTE
ANY INFORMATION DISCLOSED HEREIN IS FURNISHED FOR EVALUATION PURPOSES ONLY AND SHALL NOT BE USED OR DISCLOSED EXCEPT AS SPECIFIED BY CONTRACT BETWEEN THE RECIPIENT AND AVCON.

SURFACE MOUNT OPTIONS FOR R 219 POST



HO 319

ALLOWS POST AND INFILL
TO HIDE BALCONY FACE



HO 612

SERIES: MAJESTIC	DATE: 12 / 2003	
MODEL: I BEAM POST	DRWG. NO. AH0022	
DESC: MOUNTINGS	REV. NO. 0	DRAWN BY D.L.
PROJECT: O	MANUFACTURED BY	
PHONE (732) 286-9496	AVCON	FAX (732) 286-0526

PROPRIETARY NOTE
ANY INFORMATION DISCLOSED HEREIN IS FURNISHED FOR EVALUATION PURPOSES ONLY AND SHALL NOT BE USED OR DISCLOSED EXCEPT AS SPECIFIED BY CONTRACT BETWEEN THE RECIPIENT AND AVCON.