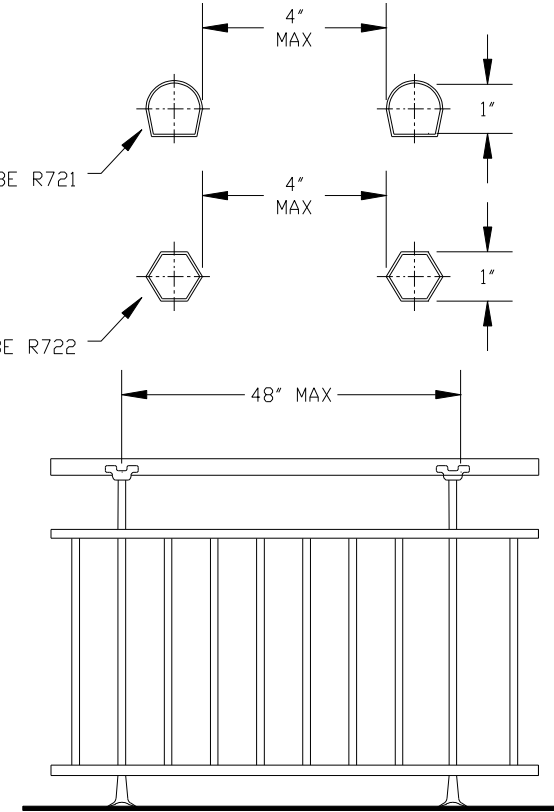


BALUSTER OPTIONS



SERIES: MAJESTIC	DATE: 10 / 2002
STYLE: HOMESTEAD	DRAWING NO. C310
DESC:	
PROJECT:	REV. NO. DRAWN BY: EDE

MANUFACTURED BY  
 PHONE (732) 286-9496 **AVCON** FAX (732) 286-0526

PROPRIETARY NOTE  
 ANY INFORMATION DISCLOSED HEREIN IS FURNISHED FOR EVALUATION PURPOSES ONLY AND SHALL NOT BE USED OR DISCLOSED EXCEPT AS SPECIFIED BY CONTRACT BETWEEN THE RECIPIENT AND AVCON